



## 30" Electric Range

Electric Range

Available Products: FFEF3054TB, FFEF3054TD, FFEF3054TS, FFEF3054TW

Available Colors: Black, Black Stainless Steel, Stainless Steel, White

Version: 09/23

## Product Specifications

### Cooking Controls

Bake	Yes
Broil	Yes
Cancel	Yes
Delay Clean	Yes
Delay Start	Yes
Keep Warm	Yes
Kitchen Timer	Yes
Lockout	Yes
Off	Yes
Oven Light	Yes
Preheat	Yes
Probe	No
Self Clean	Yes
Temperature Display	Yes
Timed Bake	Yes

### Cooktop

Cooking Surface Type	Smooth
Element On Indicator Light	Yes
Hot-Surface Indicator Light	Yes
Keep Warm Zone Light	Yes

### Drawer

Drawer Type	Storage
-------------	---------

### Display

Control Location	Rear
Display Type	Membrane

### Electrical Specifications

Minimum Circuit Required	40 Amps
Voltage Rating	240 V

### General Specifications

Prop 65 Label	No
Warranty - Labor	1 Year
Warranty - Parts	1 Year

### Safety Certifications and Approvals

UL Listed	Yes
ETL Listed	No

### Oven

Bake Element	2600 Watts
Bake System	Yes
Broil Element	3000 Watts
Broil System	Yes
Number of Rack Positions	6
Rack Position Type	Nickel Ladder
Rack Type 1	Flat
Rack Type 1 Quantity	2
Window Type	Extra Large Visual

### Cooktop Performance

Right Front Element Burner Size	12"
Right Rear Element Burner Size	6"
Left Front Element Burner Size (Small)	6"
Left Front Element Burner Size (Large)	9"
Left Rear Element Burner Size	6"
Right Front Element Burner	2700 Watts
Right Rear Element Burner	1200 Watts
Left Front Element Burner (Small)	1400 Watts
Left Front Element Burner (Large)	3000 Watts
Left Rear Element Burner	1200 Watts
Keep Warm Burner Location	Center Rear

### Controls

Control Lock	Yes
Sabbath Mode	No

### Dimensions and Volume

Height	47 3/4"
Width	29 7/8"
Depth	25 3/4"
Depth With Door 90° Open	48 5/8"
Depth With Handle	29 1/4"
Oven Interior Height	19 3/4"
Oven Interior Width	24 3/8"
Oven Interior Depth	19 1/8"
Oven Capacity	5.3 Cu. Ft.

### Installation

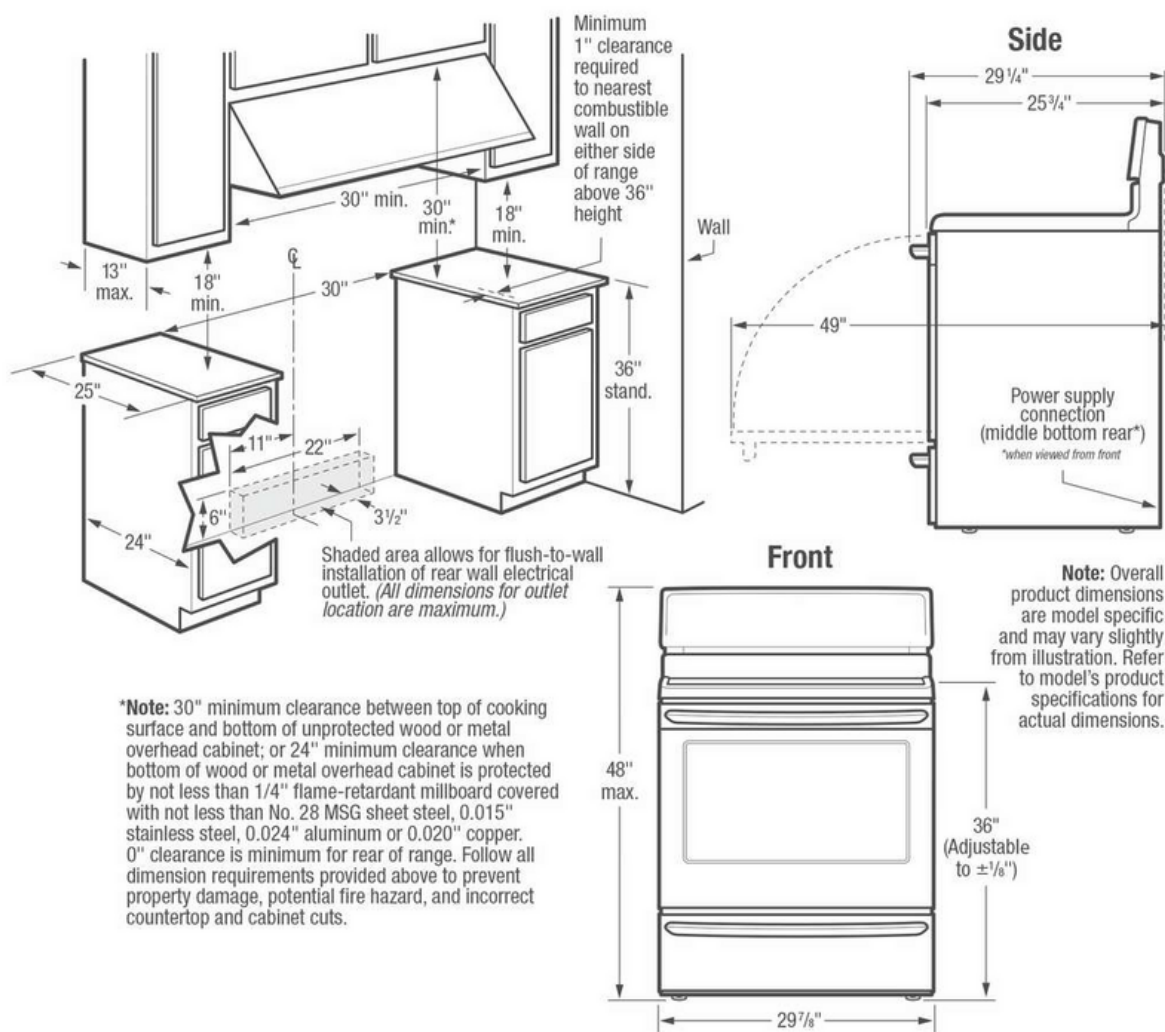
Adjustable Leveling Legs	Yes
Power Supply Connection Location	Bottom Center

**Certifications and Approvals**

ADA Compliant

No

**Installation Diagram**



30" Electric Range

Electric Range

---

Available Products: FFEF3054TB, FFEF3054TD,  
FFEF3054TS, FFEF3054TW

Available Colors: Black, Black Stainless Steel, Stainless Steel,  
White

---

Version: 09/23

---